

Mining button bits



Various grades & types of buttons can be produced based on the rock hardness, drilling machine' s model and power. Mining button bits used for mining, oilfield, city construction, water &electricity, transportation.

Properties of grades

Grade	Density (g/cm ³)	Hardness (HRA)	TRS (MPa)
YG8	14.80	89.5	2200
YG8C	14.80	88.5	2400
YG11C	14.40	87.00	2850
YK05	14.95	90.5	2500
YK15	14.60	87.6	2700
YK20	14.52	87.3	2650
YK25	14.40	87.2	2550

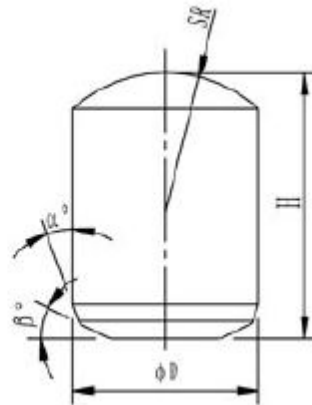
Application recommended.

Grade	Applications recommended
YG8	For coring crowns, electric coal drill bits, coal cutting picks, oil cone bits and scraping knife bits, used in geological prospecting, coal mining and oil well boring.
YG8C	Mostly used as the buttons of small and medium sized percussion bits and as the inserts of rotary prospecting bits to cut soft and medium hard formations.

YG11C	Suitable for embedding rotary percussive drill bits of heavy rock drilling machines for drilling hard formations of class f=18 or above
YK05	Mostly used as the buttons of small and medium sized percussion bits and as the inserts of rotary prospecting bits to cut soft and medium hard formations.
YK15	Suitable for embedding rotary percussive drill bits of light rock drilling machines for drilling medium rock formations of class f=14-15
YK20	Suitable for embedding rotary percussive drill bits of medium rock drilling machine for drilling hard rock formations of class f=18 or above.
YK25	Primarily for the buttons and inserts of rotary percussion bits to cut medium-hard and very hard formations

Spherical button-1

Spherical Button

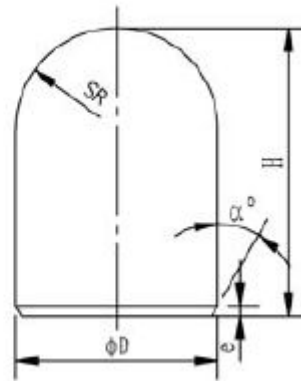


Type	Dimension				
	L	H	a	β	SR
GH0812	8.25	12	20	26.5	4.4
GH0813	8.25	13	20	26.5	4.4
GH0913	9.25	13	20	26.5	5
GH0914	9.25	14	20	26.5	5
GH1014	10.25	14	20	26.5	5.5
GH1015	10.25	15	20	26.5	5.5
GH1114	11.3	14	20	26.5	6
GH1116	11.3	16	20	26.5	6
GH1217	12.35	17	20	26.5	6.6
GH1218	12.35	18	20	26.5	6.6
GH1319	13.35	19	20	26.5	7

GH1320	13.35	20	20	26.5	7
GH1420	14.35	20	20	14.5	7.7
GH1421	14.35	21	20	14.5	7.7
GH1623	16.35	23	20	14.5	8.8
GH1624	16.35	24	20	14.5	8.8
GH1826	18.35	26	20	14.5	9.9
GH2028	20.35	28	20	14.5	11
GH2232	22.35	32	20	14.5	12
GH2640	26.35	40	20	14.5	14

Spherical button -2

Spherical Button

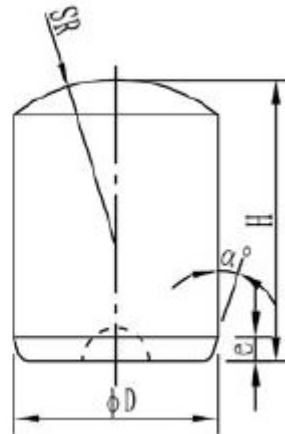


Type	Dimension				
	D	H	a	SR	e
GH0812-A	8.25	12	30	4.4	0.7
GH0813-A	8.25	13	30	4.4	0.7
GH0913-A	9.25	13	30	5.0	0.7
GH0914-A	9.25	14	30	5.0	0.7
GH1014-A	10.25	14	30	5.5	0.7
GH1015-A	10.25	15	30	5.5	0.7
GH1114-A	11.3	14	30	6	0.7
GH1116-A	11.3	16	30	6	0.7
GH1217-A	12.35	17	30	6.6	0.7
GH1218-A	12.35	18	30	6.6	0.7
GH1319-A	13.35	19	30	7	0.7

GH1320-A	13.35	20	30	7	0.7
GH1420-A	14.35	20	30	7.7	0.7
GH1421-A	14.35	21	30	7.7	0.7
GH1623-A	16.35	23	30	8.8	0.7
GH1624-A	16.35	24	30	8.8	0.7
GH1826-A	18.35	26	30	9.9	0.7
GH2028-A	20.35	28	30	11	0.7
GH2232-A	22.35	32	30	12	0.7
GH2640-A	26.35	40	30	14	0.7

Spherical button -3

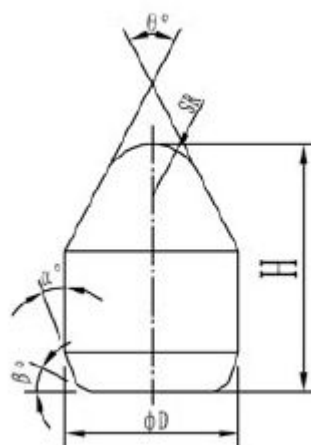
Spherical Button



Type	Dimension				
	D	H	SR	a	e
GH1217-Y	12.35	17	6.6	18	1.5
GH1218-Y	12.35	18	6.6	18	1.5
GH1319-Y	13.35	19	7	18	1.5
GH1320-Y	13.35	20	7	18	1.5
GH1420-Y	14.35	20	7.7	18	1.5
GH1421-Y	14.35	21	7.7	18	1.5
GH1623-Y	16.35	23	8.8	18	1.5
GH1624-Y	16.35	24	8.8	18	1.5
GH1826-Y	18.35	26	9.9	18	1.5
GH2028-Y	20.35	28	11	18	1.5
GH2232-Y	22.35	32	12	18	1.5
GH2640-Y	26.35	40	14	18	1.5

Conical Button-1

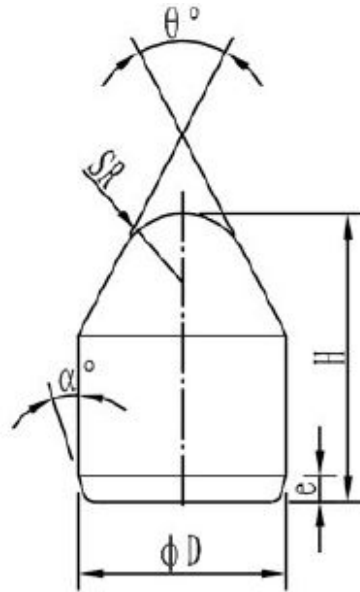
Conical Button



Type	Dimension					
	D	H	SR	Θ	a	β
GH0812	8.25	12	3	70	20	26.5
GH0913	9.25	13	3	70	20	26.5
GH0914	9.25	14	3	55	20	26.5
GH1016	10.25	16	4	55	20	26.5
GH1116	11.3	16	4	55	20	26.5
GH1217	12.35	17	4	55	20	26.5
GH1218	12.35	18	4	55	20	26.5
GH1319	13.35	19	4	55	20	26.5
GH1419	14.35	19	4	55	20	14.5
GH1420	14.35	20	5	55	20	14.5
GH1623	16.35	23	5	55	20	14.5
GH1624	16.35	24	5	55	20	14.5

Conical Button-2

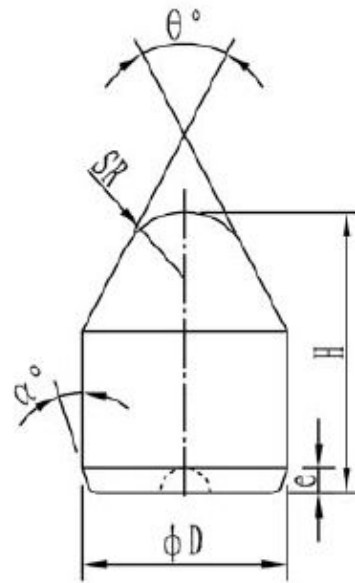
Conical Button



Type	Dimension					
	D	H	SR	Θ	a	e
GH0812-A	8.25	12	3	70	30	0.7
GH0913-A	9.25	13	3	70	30	0.7
GH0914-A	9.25	14	3	55	30	0.7
GH1016-A	10.25	16	4	55	30	0.7
GH1116-A	11.3	16	4	55	30	0.7
GH1217-A	12.35	17	4	55	30	0.7
GH1218-A	12.35	18	4	55	30	0.7
GH1319-A	13.35	19	4	55	30	0.7
GH1419-A	14.35	19	4	55	30	0.7
GH1420-A	14.35	20	5	55	30	0.7
GH1623-A	16.35	23	5	55	30	0.7
GH1624-A	16.35	24	5	55	30	0.7

Conical Button-3

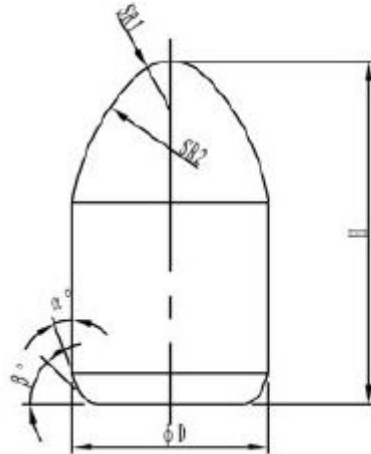
Conical Button



Type	Dimension					
	D	H	SR	Θ	a	e
GH-1217-Y	12.35	17	4	55	18	1.5
GH-1218-Y	12.35	18	4	55	18	1.5
GH-1319-Y	13.35	19	4	55	18	1.5
GH-1419-Y	14.35	19	4	55	18	1.5
GH-1420-Y	14.35	20	5	55	18	1.5
GH-1623-Y	16.35	23	5	55	18	1.5
GH-1624-Y	16.35	24	5	55	18	1.5

Ballistic Button

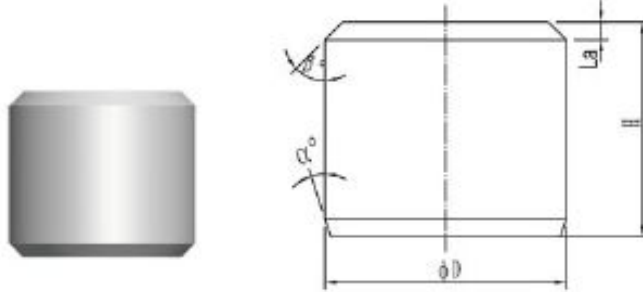
Ballistic Button



Type	Dimension					
	D	H	SR1	SR2	a	β
GH-0611	6.3	11	1.54	7.43	20	26.5
GH-0712	7.25	12	1.91	8.665	20	26.5
GH-0814	8.25	14	2.17	9.85	20	26.5
GH-0915	9.25	15	2.50	11.00	20	26.5
GH-1016	10.25	16	2.71	12.29	20	26.5
GH-1118	11.30	18	2.98	13.48	20	26.5
GH-1218	12.35	18	3	12.00	20	26.5
GH-1319	13.35	19	4	11.20	20	26.5

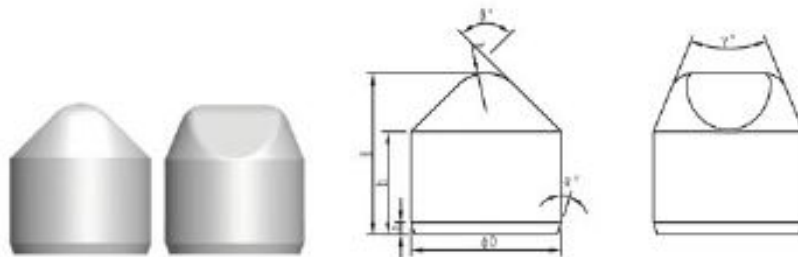
Flattop Gage Button

Flattop Gage Button



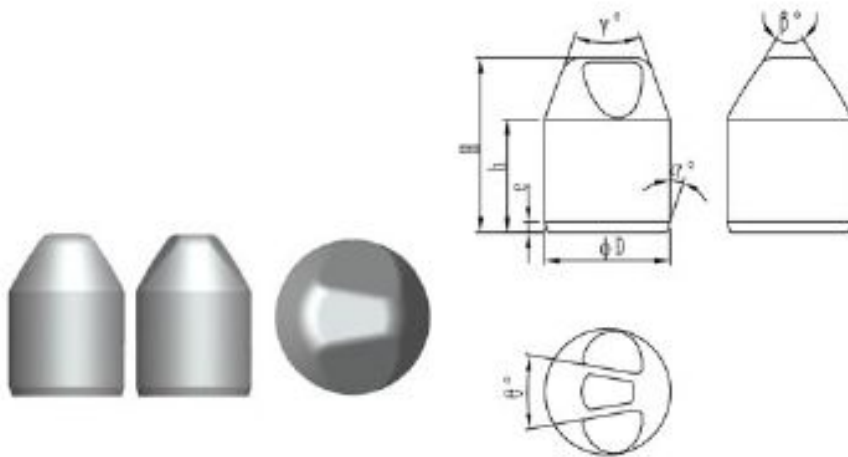
Type	Dimension				
	D	H	a	β	La
GH0504	5.4	4.8	18	45	1
GH0605	6.4	5.5	18	45	1
GH0807	8.12	7	18	45	1
GH1008	10.12	8	18	45	1.2
GH1210	12.12	10	18	45	1.2

Crested Chisel



Type	Dimension							
	D	H	h	β	γ	a	R	e
GH0607	6.2	6.6	4.2	90	45	18	2.2	1
GH0708	7.2	7.7	4.9	90	45	18	2.5	1
GH0809	8.2	9	5.5	90	45	18	1.2	1
GH0810	8.2	10	6.5	90	45	18	2.0	1
GH0910	9.2	10	6.3	90	45	18	2.9	1
GH1011	10.25	11	7.0	90	40	18	3.2	1
GH1112	11.25	12.1	7.7	90	45	18	3.4	1.1
GH1213	12.25	13.2	8.4	90	45	18	3.6	1.2

Wedge Crested Chisel

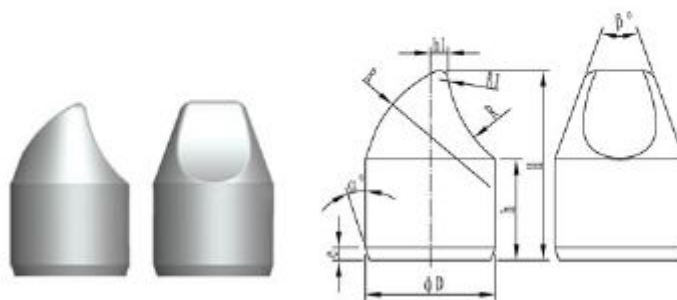


Type	Dimension							
	D	H	h	α°	β°	γ°	Θ°	e
GH1217	12.25	17	11	18	70	40	20	1
GH1419	14.25	19	12	18	75	40	20	1
GH1520	15.25	20	12.5	18	75	40	20	1
GH1621	16.25	21	14	18	70	40	20	1

GH1924	19.25	24	15	18	70	40	20	1
GH2230	22.25	30	17	18	70	40	20	1

Scoop Chisel Button

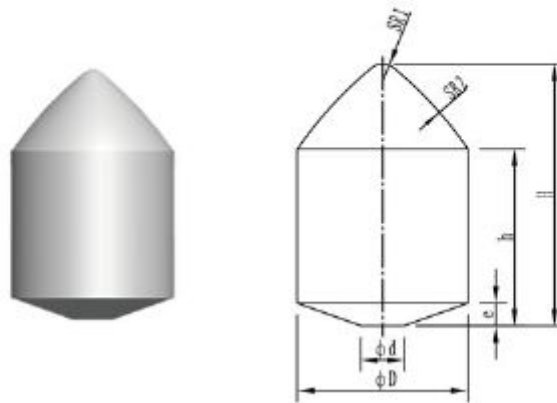
Scoop Chisel Button



Type	Dimension								
	D	H	h	e	R	R1	h 1	a	β
GH1015	10.25	15	8	1	10.12	0.7	0.7	18	30
GH1117	11.25	16.5	8.8	1	11.12	0.8	0.8	18	30
GH1218	12.25	18.0	9.6	1.2	12.12	0.8	0.8	18	30
GH1320	13.25	19.5	10.4	1.3	13.12	0.9	0.9	18	30
GH1421	14.25	21.0	11.2	1.4	14.12	0.9	0.9	18	30
GH1523	15.25	22.5	12.0	1.5	15.12	1.0	1.0	18	30
GH1624	16.25	24.0	12.8	1.5	16.12	1.1	1.1	18	30
GH1726	17.25	25.5	13.6	1.5	17.12	1.2	1.2	18	30
GH1827	18.25	27.0	14.4	1.5	18.12	1.3	1.3	18	30
GH1929	19.25	28.5	15.2	1.5	19.12	1.4	1.4	18	30
GH2030	20.20	30.0	16.2	1.5	20.12	1.5	1.5	18	30
GH2233	22.20	33.0	17.6	1.5	22.12	1.7	1.7	18	30
GH2436	24.20	36.0	19.2	1.5	24.12	1.9	1.9	18	30

Point-attack pick bit

Point-attack Pick Bit



Type	Dimension						
	D	d	H	h	SR1	SR2	E
GH1523	15	3.8	23	15.5	1.5	35	2
GH1726	17	3.8	26.5	12	1.75	26	4